

TOP VIEW

CONSTRUCTION:

12 Gauge steel cabinet finished with a Powder-Coat Finish. Includes hopper and stand, removable endcaps for easy access to filters, one inlet (14" front, std.), pressure gauge to indicate filter changes, a direct drive motor/blower assembly, and block-off Vibra-Pulse filter cleaning. Motor starters/disconnects NOT INCLUDED.

WEIGHT:

1730 lbs.

AIRFLOW:

See chart below

NOISE:

See chart "A"

ELECTRICAL:

- 5 HP 208/230/460/3/60, 12.0/6.0 amps, BI blower, std.
- 7.5 HP 208/230/460/3/60, 17.2/8.6 amps, BI blower, opt.
- 10 HP 208/230/460/3/60, 24.0/12.0 amps, High press., opt.
- 10 HP 208/230/460/575/3/60, 24.0/12.0/9.6 amps, High flow, opt.

FIRE SUPPRESSION:

Equipment provided by others.

SPECIFICATIONS:

MAIN FILTERS: (18)16"Diameter cartridges, CLEAN 2, std.
 (18)16"Diameter cartridges, FiberDust, opt.

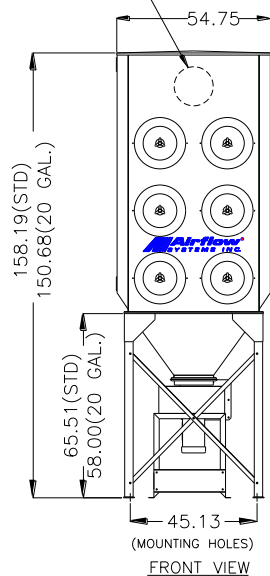
HEPA OPTION: External HEPA filter, 99.97% (4000 CFM)

AD OPTION: (2) External adsorbers, 50 lbs., refillable, followed by a 2" poly afterfilter (4000 CFM)

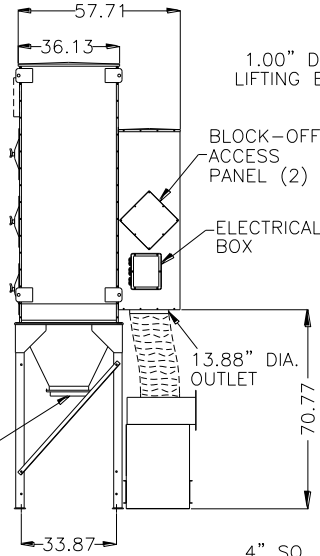
OTHER OPTIONS: 55 Gallon lid/hose Motor raincap
 20 Gallon lid/hose 50 Hz
 Slide gate 575 Volt
 Silencer Top mount blower
 Explosion vent door Off-line cleaning
 Blower outlet rainshield

SPECIAL NOTES: Compressed air filter provided by others.

14" FRONT INLET, STANDARD
(OPTIONS: UP TO 22" FRONT
OR BACK OR UP TO 21" TOP
OR SIDE)



FRONT VIEW



SIDE VIEW

1.00" DIA. LIFTING EYE

BLOCK-OFF ACCESS PANEL (2)

ELECTRICAL BOX

13.88" DIA. HOPPER OUTLET

4" SQ. FOOT PAD W/1.00" DIA HOLE

2.87" TYP (4) CRNRS

3 HOLES EQ. SP. @5"=10" TYP (4) SIDES

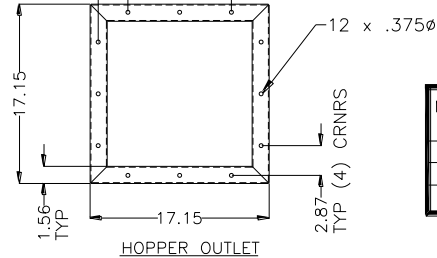


CHART "A"

MOTOR/BLOWER OPTION	dBA	dBA WITH SILENCER
5 HP, BI	84	75
7.5 HP, BI	84	75
10 HP	89	78

MOTOR/BLOWER OPTION	"wg EXTERNAL ADDED STATIC									
	1	2	3	4	5	6	7	8	9	10
5 HP, BI	3550	3350	3075	2700	2275	1700	—	—	—	—
7.5 HP, BI	4950	4800	4550	4250	3875	3300	2500	—	—	—
10 HP, HP	5500	5375	5250	5100	4950	4750	4550	4350	4100	3850
10 HP, HF	6800	6550	6150	5950	5650	5400	4900	4400	3800	—

CUBIC FEET PER MINUTE (CFM)

NOTES:

ITEMS DESIGNATED AS ARE INCLUDED IN THIS PROPOSAL.

THE DEVICE DEPICTED AND DESCRIBED HEREON EMBODIES PROPRIETARY INFORMATION OWNED BY AIRFLOW SYSTEMS, INC. ALL DESIGN, MANUFACTURING, REPRODUCTION, SALES, AND PATENT RIGHTS REGARDING THIS DEVICE OR DRAWING ARE RESERVED EXCEPT WHERE EXPLICIT RIGHT IS GRANTED IN WRITING.

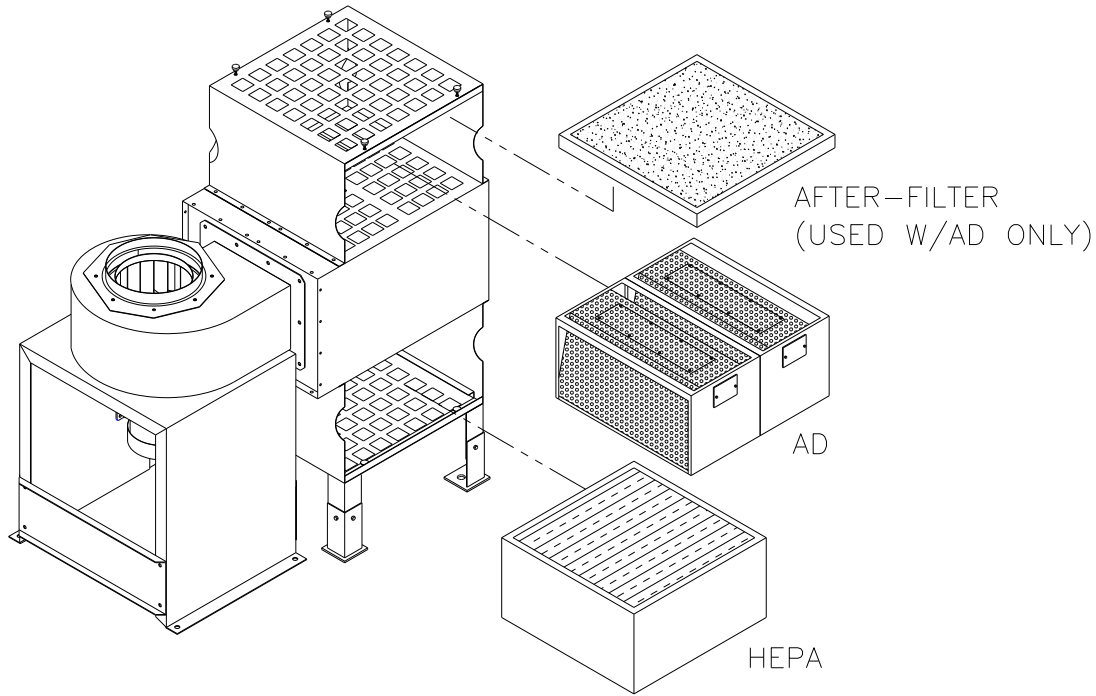
Diversified Air Systems, Inc.

Phone: 800-264-8958

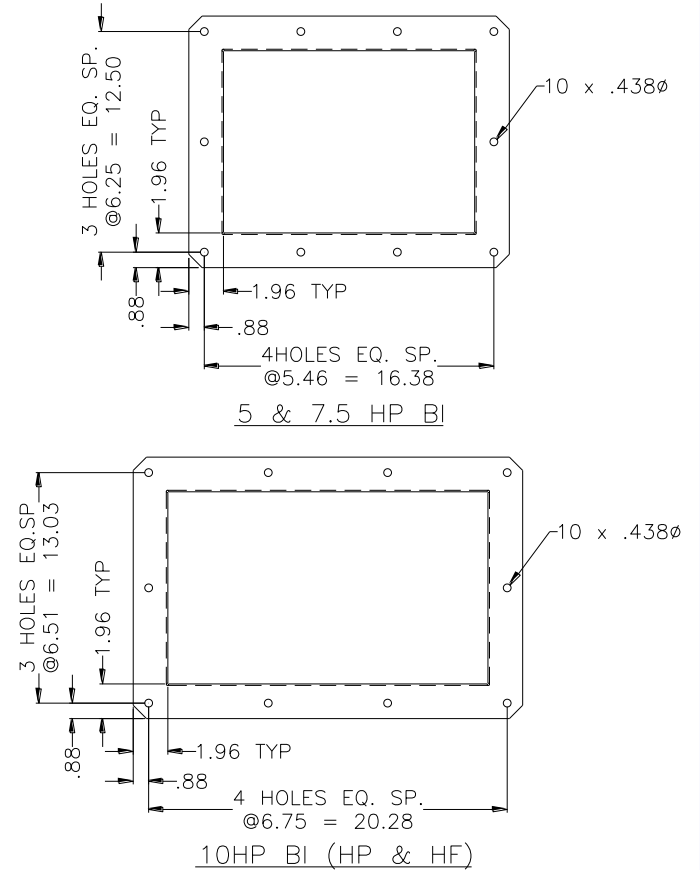
DRAWN BY
 CB
 DATE
 6-9-05
 SCALE
 NTS

TITLE
 DC18 WITH HOPPER/STND
 PAGE 1 OF 3
 DRAWING NO.: DC18SPEC (78-4153/A)

OPTIONAL SILENCER, HEPA/AD



BLOWER MOUNTING HOLE PATTERN



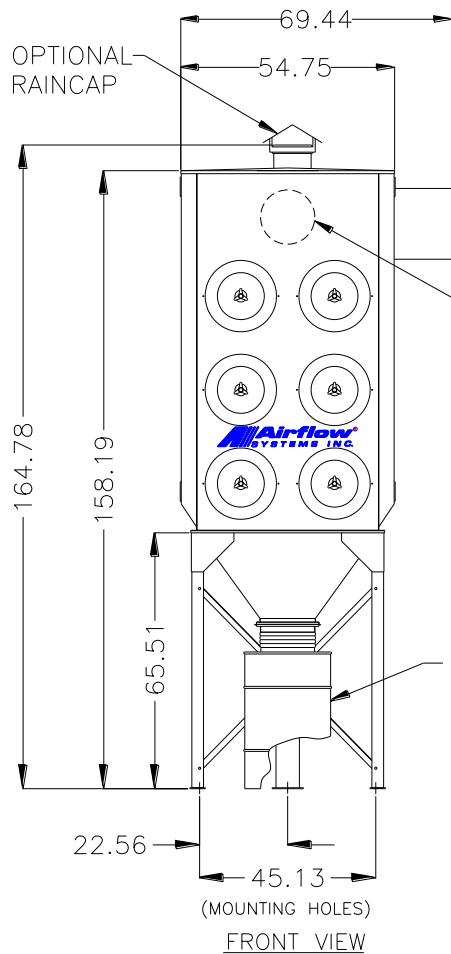
NOTES:

THE DEVICE DEPICTED AND DESCRIBED
HEREON EMBODIES PROPRIETARY
INFORMATION OWNED BY AIRFLOW SYSTEMS,
INC. ALL DESIGN, MANUFACTURING,
REPRODUCTION, SALES, AND PATENT RIGHTS
REGARDING THIS DEVICE OR DRAWING ARE
RESERVED EXCEPT WHERE EXPLICIT RIGHT
IS GRANTED IN WRITING.

Diversified Air Systems, Inc.

Phone: 800-264-8958

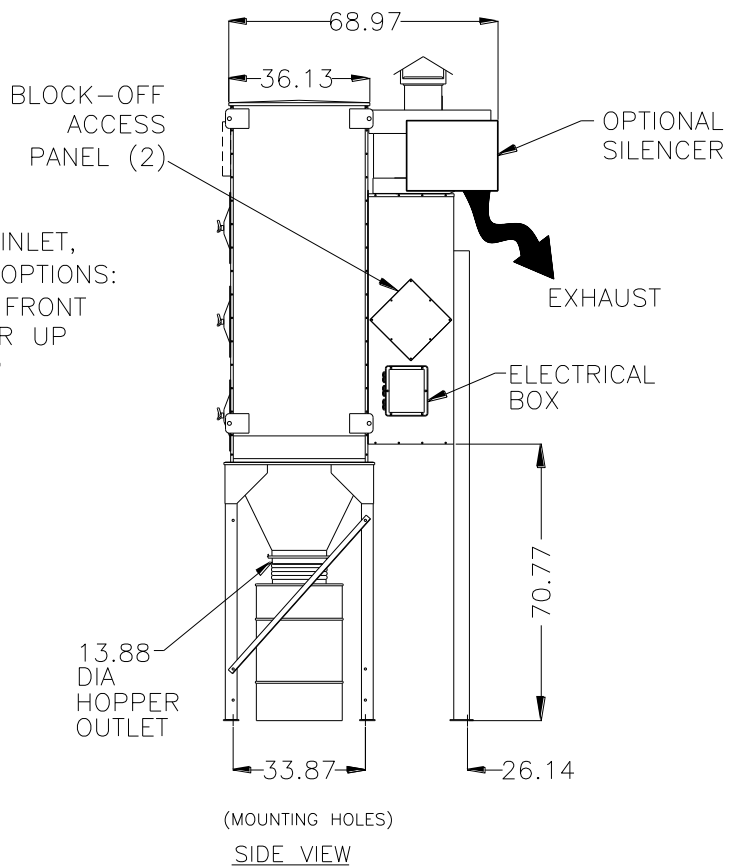
DRAWN BY CB	TITLE DC18 WITH HOPPER/STND
DATE 6-9-05	PAGE 2 OF 3
SCALE NTS	DRAWING NO.: DC18SPEC (78-4153/A)



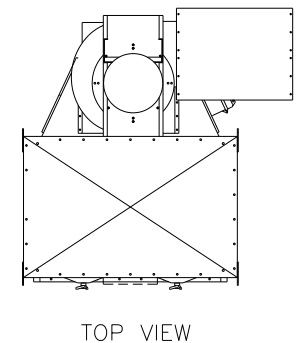
14" FRONT INLET,
STANDARD (OPTIONS:
UP TO 22" FRONT
OR BACK OR UP
TO 21" TOP
OR SIDE)

OPT.
55 GAL.
DRUM

(MOUNTING HOLES)
FRONT VIEW



(MOUNTING HOLES)
SIDE VIEW



TOP VIEW

NOTES:

<p>THE DEVICE DEPICTED AND DESCRIBED HEREON EMBODIES PROPRIETARY INFORMATION OWNED BY AIRFLOW SYSTEMS, INC. ALL DESIGN, MANUFACTURING, REPRODUCTION, SALES, AND PATENT RIGHTS REGARDING THIS DEVICE OR DRAWING ARE RESERVED EXCEPT WHERE EXPLICIT RIGHT IS GRANTED IN WRITING.</p>		<p>Diversified Air Systems, Inc. Phone: 800-264-8958</p>	
<p>DRAWN BY CB</p>	<p>DATE 6-9-05</p>	<p>TITLE DC18 TOP MOUNT MOTOR PAGE 3 OF 3</p>	<p>DRAWING NO.: DC18SPEC (78-4153/A)</p>
<p>SCALE NTS</p>			