

F90 Free-Hanging Dust Collector



Features & Benefits

- **Capacities to 2800 CFM:**
Handles toughest industrial applications.
- **Belt drive blower:**
Standard
- **Non-electrostatic operation:**
High reliability, low maintenance.
- **Ultra-Seal® filter mounting:**
Eliminates contaminant bypass of filters.
- **High efficiency filter media:**
provides maximum effectiveness; low air-to-cloth ratio extends cycles between filter changes; filter changes easily without tools.
- **Prewired to junction box:**
For fast, easy installation.

Dimensions

Width:	21.00"
Height:	27.00"
Depth:	66.00"

Options

- **Pressure Gauge Kit:**
Indicates when filters require cleaning.
- **Silencer:**
Reduces air flow noise for quieter operation.
- **Charcoal Adsorber Modules:**
Refillable modules control gases and odors.
- **HEPA After-Filter:**
provides 99.97% DOP efficiency.
- **Backwards Inclined Blower:**
For operating at higher pressures.
- **Inlet Plenum**

Specifications

Construction:

16 ga. steel cabinet, powder coated

Blower Pkg (HP):

1.5
3.0

Noise Level (dBA):

74 std./78 Class II

Electrical:

1.5 HP - 208-230/460/3/60, 5/2.5 amps.
3.0 HP - 208-230/460/3/60, 8.0/4.0
2.0 HP - 190/380/3/50, 7.2/3.6

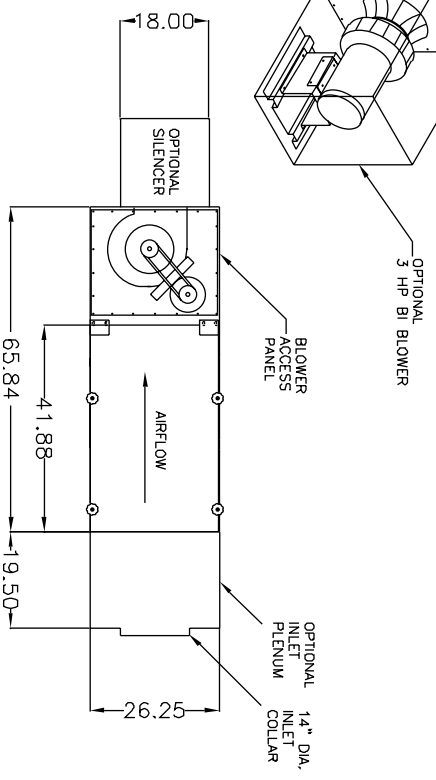
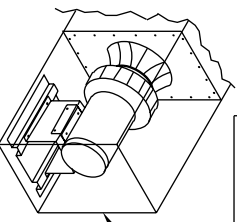
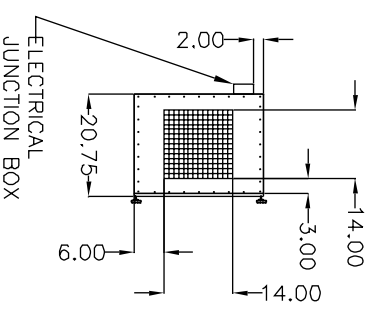
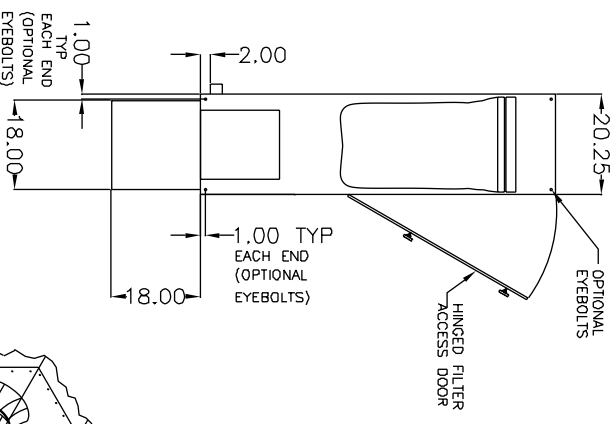
Nominal CFM (in.):

2800
1600 HEPA or AD

Weight (lbs.):

241

Diversified Air Systems, Inc.
Phone: 800-264-8958
Email: info@divers-air.com
www.divers-air.com



CONSTRUCTION:

16 Gauge welded zinc coated steel cabinet, finished with a two part chemical and oil resistant paint, side access doors to filters and motor. Belt driven Ball Bearing 10x10 blower w/odf. speed pulley, 4-way adjustable airfoil blade exhaust grille. Motor wired to junction box outside unit.

WEIGHT:

241 lbs.

AIRFLOW:

2800 CFM
1600 CFM w/HEPA or V-Bank
75 dBA / 69 dBA with silencer - std.
79 dBA / 75 dBA with silencer - 3 HP

ELECTRICAL:

- 1.5 HP 208-230/460/3/60, 5/2.5 amps, std.
- 1.5 HP 115/230/1/60, 16.0/8.0 amps, opt.
- HP-3 HP 208-230/460/3/60, 9.2-8.0/4.0 amps, opt.
- 3 HP 115/230/1, 14.5 amps, opt.

FILTER SEAL:

Ultra-Seal™ welded picture frame with positive sealing filter locking mechanism for all main filters and all HEPA filters or adsorber modules (where used). Slide in tracks shall be used for prefilters only.

FIRE SUPPRESSION:

Equipment provided by others.

SPECIFICATIONS:

PREFILTERS:

- (1) 4" Pleated std.
- (1) 2" Aluminum Mesh, opt.
- (1) Chevron® Filter, opt.

MAIN FILTERS:

- (1) 96 ft² bag, 55/60% Std.
- (1) 90/95% - opt.
- (1) Easy clean, opt.

AFTER FILTERS:

- (1) 4" pleat prefilter followed by (1) 36 ft², 95% bag filter, which is followed by (1) 99.97% HEPA filter.

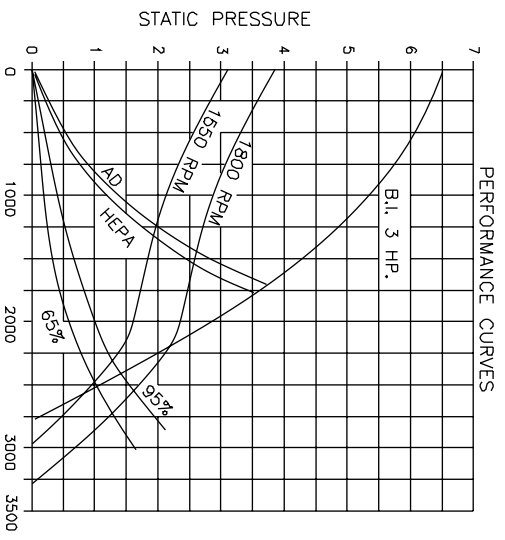
AD OPTION:

- (1) 4" pleat prefilter followed by (1) 36 ft², 95% bag filter, followed by (2) refillable AD modules, 20 lb. capacity each, and (1) 2" pleat afterfilter.

OTHER OPTIONS:

- Pressure gauge kit indicates filter changes
- Eyebolts

* AFS FILTER EFFICIENCIES BASED ON ASHRAE 52-76 TEST METHOD



NOTES:

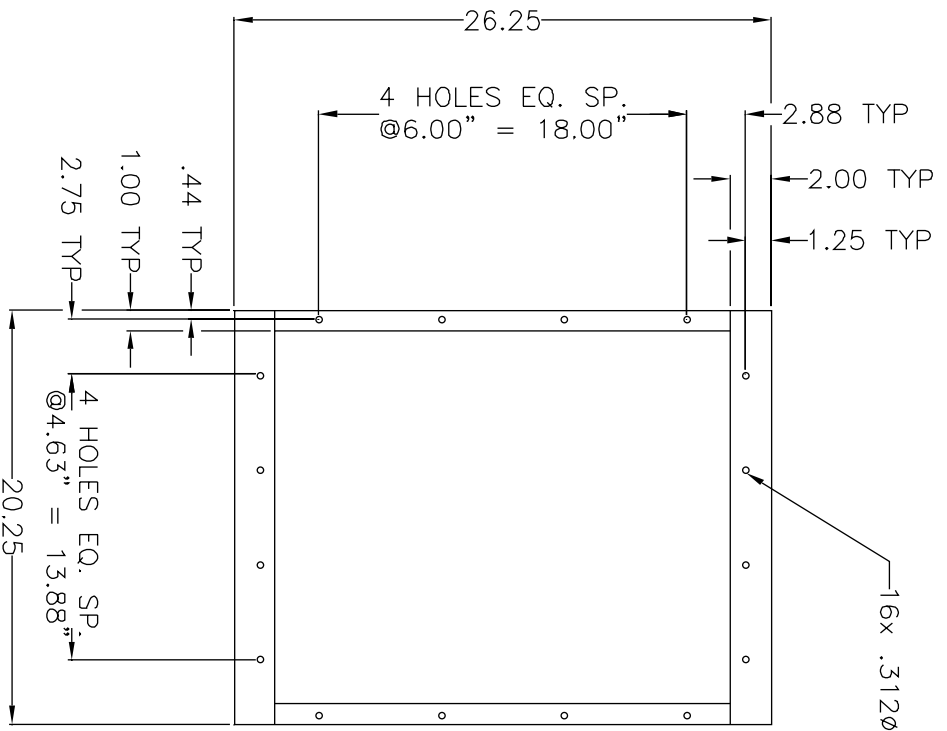
Items designated as are included in this proposal. See page 2 for inlet hole pattern.

THE DEVICE DEPICTED AND DESCRIBED HEREON EMBODIES PROPRIETARY INFORMATION OWNED BY AIRFLOW SYSTEMS, INC. ALL DESIGN, MANUFACTURING, REPRODUCTION, SALES, AND PATENT RIGHTS REGARDING THIS DEVICE OR DRAWING ARE RESERVED EXCEPT WHERE EXPLICIT RIGHT IS GRANTED IN WRITING.

Diversified Air Systems, Inc.
Phone: 800-264-8958

DRAWN BY: CB
 DATE: 10-20-00
 SCALE:

TITLE: MODEL F90
 PAGE 1 OF 2
 DRAWING NO.: F90SPEC (90-2905/K)



INLET VIEW

NOTES:

THE DEVICE DEPICTED AND DESCRIBED
 HEREON EMBODIES PROPRIETARY
 INFORMATION OWNED BY AIRFLOW SYSTEMS,
 INC. ALL DESIGN, MANUFACTURING,
 REPRODUCTION, SALES, AND PATENT RIGHTS
 REGARDING THIS DEVICE OR DRAWING ARE
 RESERVED EXCEPT WHERE EXPLICIT RIGHT
 IS GRANTED IN WRITING.

Diversified Air Systems, Inc.
 Phone: 800-264-8958

DRAWN BY JRS	TITLE MODEL F90
DATE 10-20-00	PAGE 2 OF 2
SCALE NTS	DRAWING NO.: F90SPEC (90-2905/K)