

Fume-Pak™ Fume Collection System



Features & Benefits

- **Self-contained unit:**
No installation required, easy to set up and use anywhere.
- **Compact, low profile:**
Can be below-bench, or wall-mounted, maximizing workbench space and accessibility.
- **High efficiency 3-stage filtration:**
Provides up to 99.97% HEPA filtration efficiency.
- **Low 67 decibel noise level:**
Blower housing surrounded with acoustical foam to reduce ambient noise.
- **Hinged, removable top:**
Easy access for cleaning and filter change-out.
- **Plug-in operation with any 115V outlet:**
Can be used anywhere, no special wiring required; operates with simple on-off switch.

Dimensions

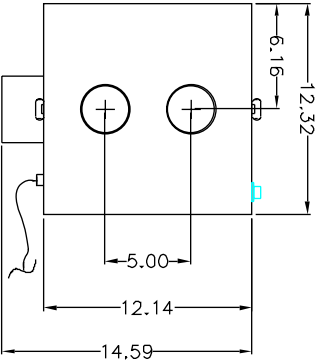
Width:	13.00"
Height:	20.00"
Length:	12.00"

Options

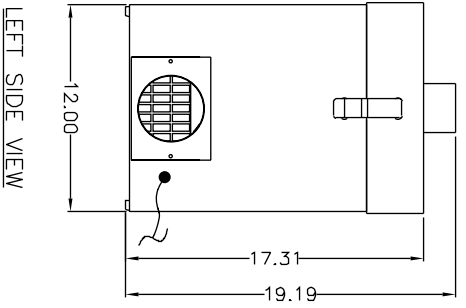
- **E-Z Arm® 2.5-in. Dia. Collection Arms:**
For high-efficiency source-point collection for close work areas, in 4- or 6-foot lengths.
- **4-in. Hose:**
Attaches to outlet collar for ducted filtration applications.

Specifications

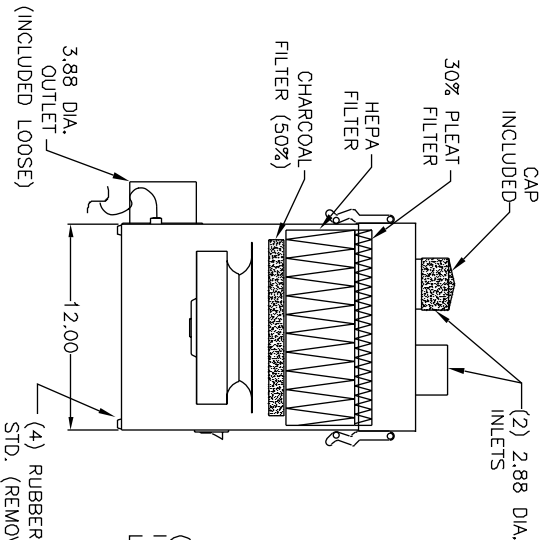
Construction:	20 ga. steel cabinet, enamel coated
Blower Pkg (HP):	1/20
Noise Level (dBA):	67
Electrical:	115V, 50/60 Hz, 1.8 amps, std. 220V, 50/60 Hz, opt.
Nominal CFM:	100
Weight (lbs.):	45



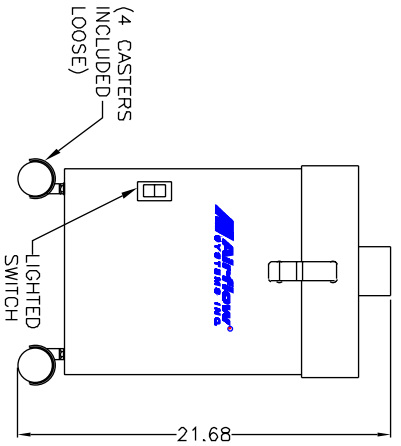
TOP VIEW



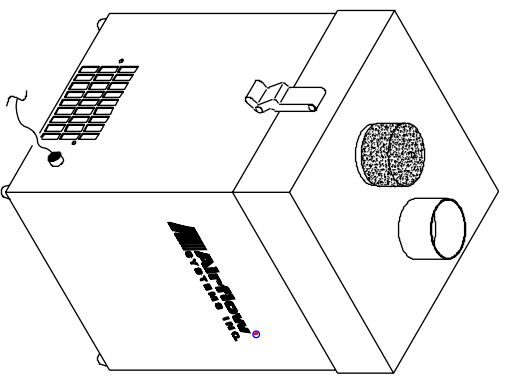
LEFT SIDE VIEW



FRONT VIEW



RIGHT SIDE VIEW



SPECIFICATIONS:

CONSTRUCTION:

20 Gauge steel cabinet painted glossy white with lift off top to access filters. Bl. blower housed in blower sound chamber with acoustic foam for reduced noise, outlet grille, on/off switch with running light, and power cord. (4) 2" swivel casters, 4" outlet collar, 5 ft. of 3" duct, 3" plastic hood, and hose/hood support bracket packaged separately.

WEIGHT:

45 lbs.

AIRFLOW:

80 CFM

NOISE:

67 DBA @ 5'

ELECTRICAL:

- 115V, 50/60 Hz, 100 watt, .85 amps, std.
- 115V, 50/60 Hz, 200 watt, 1.65 amps, optional
- 220V, 50/60 Hz, 100 watt, optional
- 220V, 50/60 Hz, 200 watt, optional

PREFILTERS:

- (1) 1" 30% pleat, std.

MAIN FILTERS:

- (1) 4" HEPA 99.97%, std.
- (1) 4" 95% pleat, opt.

AFTER FILTERS:

- (1) 1" charcoal, 50% fill, std.

OPTIONS:

- (1) 2.5" arm
- (2) 2.5" arms
- 4" hose (outlet duct)
- Hi Flow Blower

FIRE SUPPRESSION:

Equipment provided by others.

THE DEVICE DEPICTED AND DESCRIBED HEREON EMBODIES PROPRIETARY INFORMATION OWNED BY AIRFLOW SYSTEMS, INC. ALL DESIGN, MANUFACTURING, REPRODUCTION, SALES, AND PATENT RIGHTS REGARDING THIS DEVICE OR DRAWING ARE RESERVED EXCEPT WHERE EXPLICIT RIGHT IS GRANTED IN WRITING.

Diversified Air Systems, Inc.
Phone: 800-264-8958

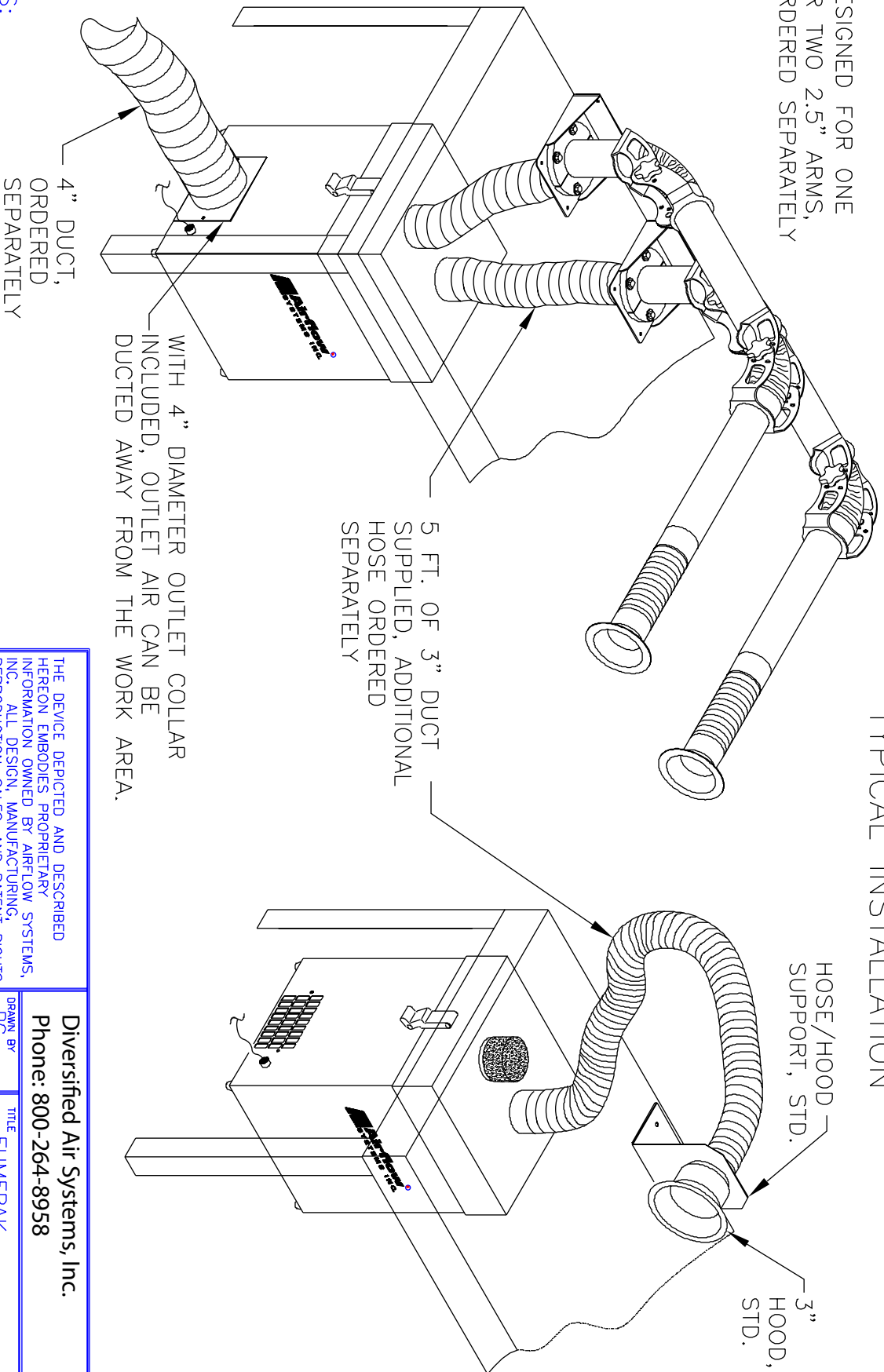
DRAWN BY CB	TITLE FUMEPAK
DATE 11-10-00	PAGE 1 OF 2
SCALE	DRAWING NO.: FUMEPAK (43-2866)

NOTES:

ITEMS DESIGNATED AS ARE INCLUDED IN THIS PROPOSAL.

DESIGNED FOR ONE
OR TWO 2.5" ARMS,
ORDERED SEPARATELY

TYPICAL INSTALLATION



NOTES:

4" DUCT,
ORDERED
SEPARATELY

WITH 4" DIAMETER OUTLET COLLAR
INCLUDED, OUTLET AIR CAN BE
DUCTED AWAY FROM THE WORK AREA.

5 FT. OF 3" DUCT
SUPPLIED, ADDITIONAL
HOSE ORDERED
SEPARATELY

HOSE/HOOD
SUPPORT, STD.

3"
HOOD,
STD.

THE DEVICE DEPICTED AND DESCRIBED
HEREON EMBODIES PROPRIETARY
INFORMATION OWNED BY AIR-FLOW SYSTEMS,
INC. ALL DESIGN, MANUFACTURING,
REPRODUCTION, SALES, AND PATENT RIGHTS
REGARDING THIS DEVICE OR DRAWING ARE
RESERVED EXCEPT WHERE EXPLICIT RIGHT
IS GRANTED IN WRITING.

Diversified Air Systems, Inc.
Phone: 800-264-8958

DRAWN BY PG	TITLE FUMEPAK
DATE 11-10-00	PAGE 2 OF 2
SCALE	DRAWING NO.: FUMEPAK (43-2866)