

**SPECIFICATIONS:**

**CONSTRUCTION:** 16 Gauge welded steel cabinet with Powder-Coat finish. Unit includes a top filter access door, Ultra-Seal® filter mounting system, an acoustically lined blower cabinet with access panel, a bottom inlet collar, and an 8' power cord. Three phase units wired to a junction box; circuit and motor overload protection by others.

**WEIGHT:** 148 lbs.

**AIRFLOW:** 500 CFM

**NOISE:** 71 dBA (with after-filters)

**ELECTRICAL:**  1/2 HP 115/1/60, 7.2 amps, std.  
 1/2 HP 208-230/460/3/60, 2.6-2.0/1 amps, opt.

**MAIN FILTERS:** (3) MistPlus® II Filters, std.

**AFTER FILTER:**  (1) 4" MERV 14, washable synthetic (17.50 L x 18.50 T x 4.0 D) STD.

**OPTIONS:**

(1) 4" 99.97% HEPA, opt. (17.50 L x 18.50 T x 4.0 D)

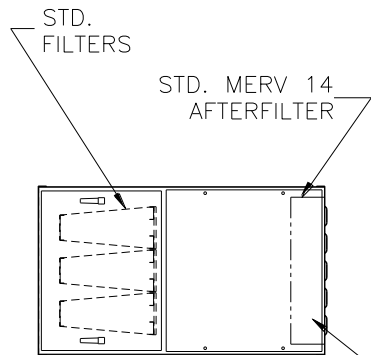
**OTHER OPTIONS:**  Pressure gauge kit indicates filter changes

Optional side inlet (includes drain loop kit)

Suspension mount

Leg kit

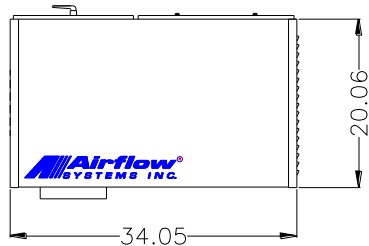
**FIRE SUPPRESSION:** Equipment provided by others



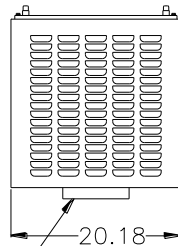
TOP VIEW

OPTIONAL HEPA AFTER-FILTER

THREADED ROD AND/OR CHAINS AND EYEBOLTS BY OTHERS

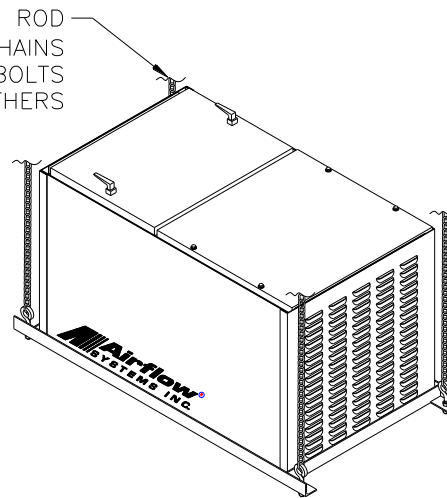


FRONT VIEW

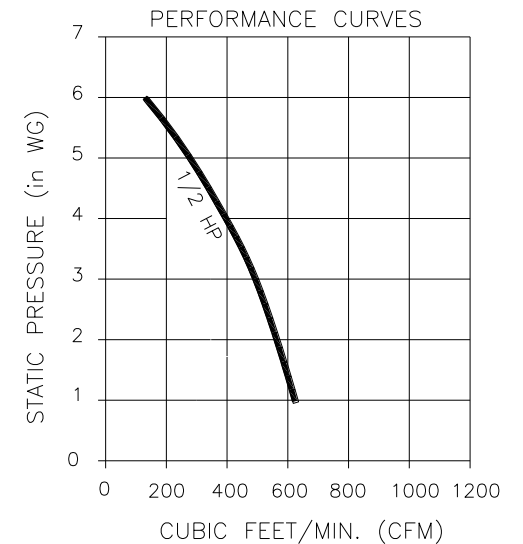


7.88" DIA. INLET

SIDE VIEW



SUSPENSION MOUNT OPTION



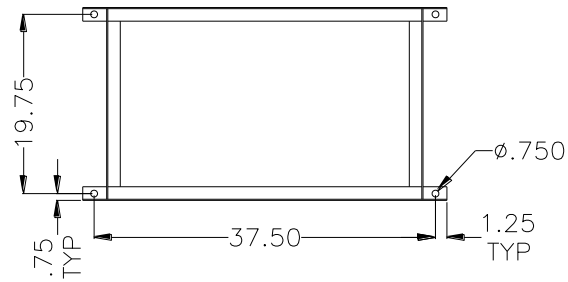
NOTES:

THE DEVICE DEPICTED AND DESCRIBED HEREON EMBODIES PROPRIETARY INFORMATION OWNED BY AIRFLOW SYSTEMS, INC. ALL DESIGN, MANUFACTURING, REPRODUCTION, SALES, AND PATENT RIGHTS REGARDING THIS DEVICE OR DRAWING ARE RESERVED EXCEPT WHERE EXPLICIT RIGHT IS GRANTED IN WRITING.

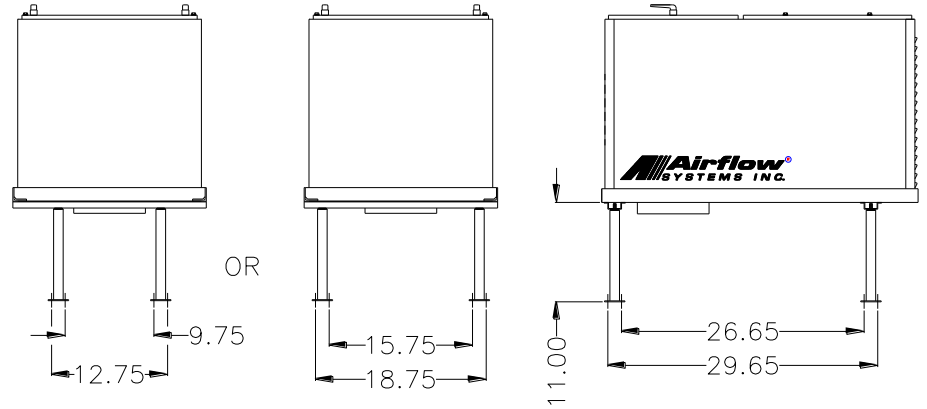
**Diversified Air Systems, Inc.**  
**Phone: 800-264-8958**

DRAWN BY: CB  
 DATE: 11-14-08  
 SCALE:

TITLE: MODEL MPH 5  
 PAGE 1 OF 2  
 DRAWING NO.: MPH5SPC (84-4521)

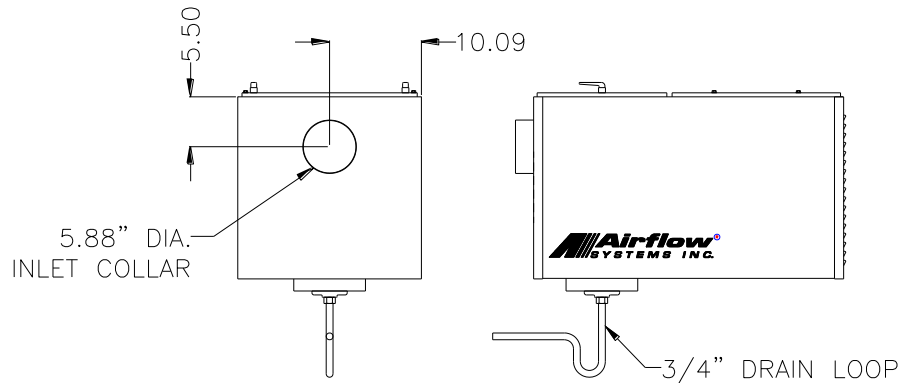


SUSPENSION MOUNT OPTION



OR

LEG KIT OPTION



IA OPTION

NOTES:

THE DEVICE DEPICTED AND DESCRIBED HEREON EMBODIES PROPRIETARY INFORMATION OWNED BY AIRFLOW SYSTEMS, INC. ALL DESIGN, MANUFACTURING, REPRODUCTION, SALES, AND PATENT RIGHTS REGARDING THIS DEVICE OR DRAWING ARE RESERVED EXCEPT WHERE EXPLICIT RIGHT IS GRANTED IN WRITING.

Diversified Air Systems, Inc.  
Phone: 800-264-8958

DRAWN BY  
CB  
DATE 11-14-08  
SCALE

TITLE  
MODEL MPH 5  
PAGE 2 OF 2

DRAWING NO.: MPH5SPC (84-4521)