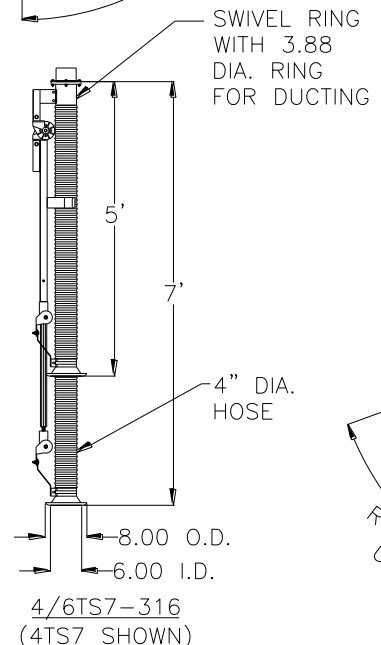
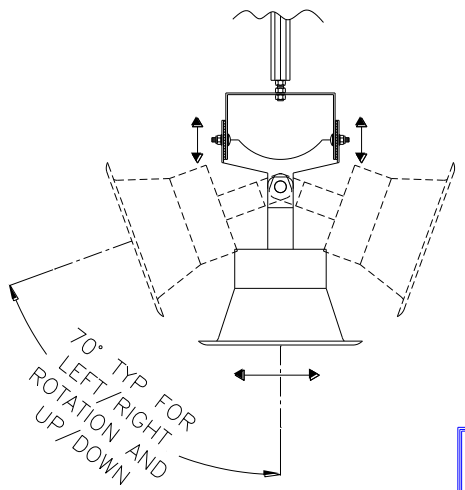


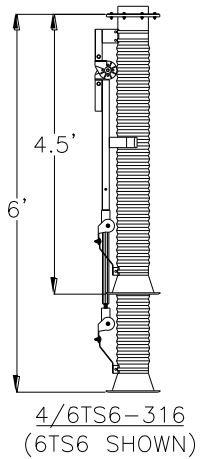
4/6TSS-316
(6TS5 SHOWN)



4/6TSS7-316
(4TS7 SHOWN)



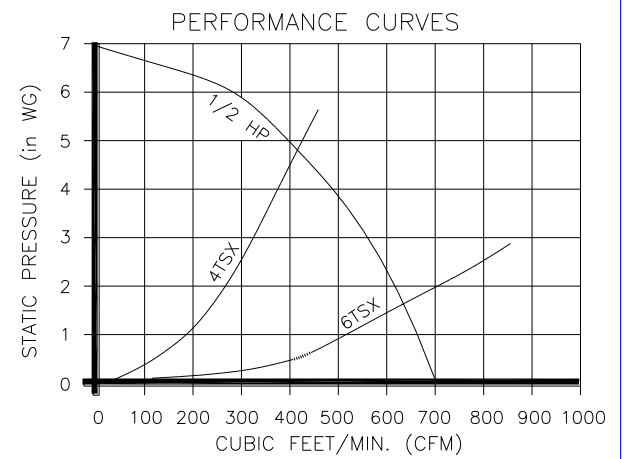
HOOD SWIVEL MECHANISM,
TOP VIEW SHOWN LESS HOSE



4/6TSS6-316
(6TS6 SHOWN)

SPECIFICATIONS:

- CONSTRUCTION:** 4" or 6" diameter, 316 stainless steel, dust and fume exhaust arm system with a totally external, telescoping, self-supported arm mechanism designed for industrial applications. Includes a swivel ring for 360° rotation at the base and a top mounted ring for connecting to a fixed duct. The 4/6TSS-316 arm telescopes from 4 feet to 5 feet; the 4/6TS6-316 telescopes from 4.5 feet to 6 feet; and the 4/6TS7-316 arm telescopes from 5 feet to 7.
- WEIGHT:** □ 4TS5-316: 14lbs.; □ 4TS6-316: 16lbs.; □ 4TS7-316: 18lbs.
□ 6TS5-316: 14lbs.; □ 6TS6-316: 16lbs.; □ 6TS7-316: 18lbs.
- AIRFLOW:** See curve
- ELECTRICAL:** See blower spec. (All motor/blowers sold separately.)
- OPTIONS:** □ White hose □ Damper
□ Static free hose □ Rag guard
□ LTK-35 □ Wall bracket



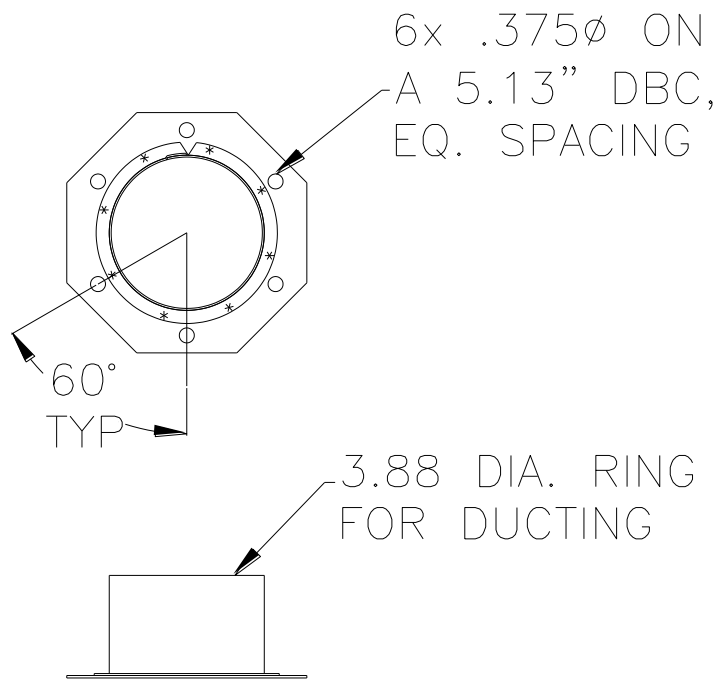
NOTES:

See page 2 for mounting patterns.

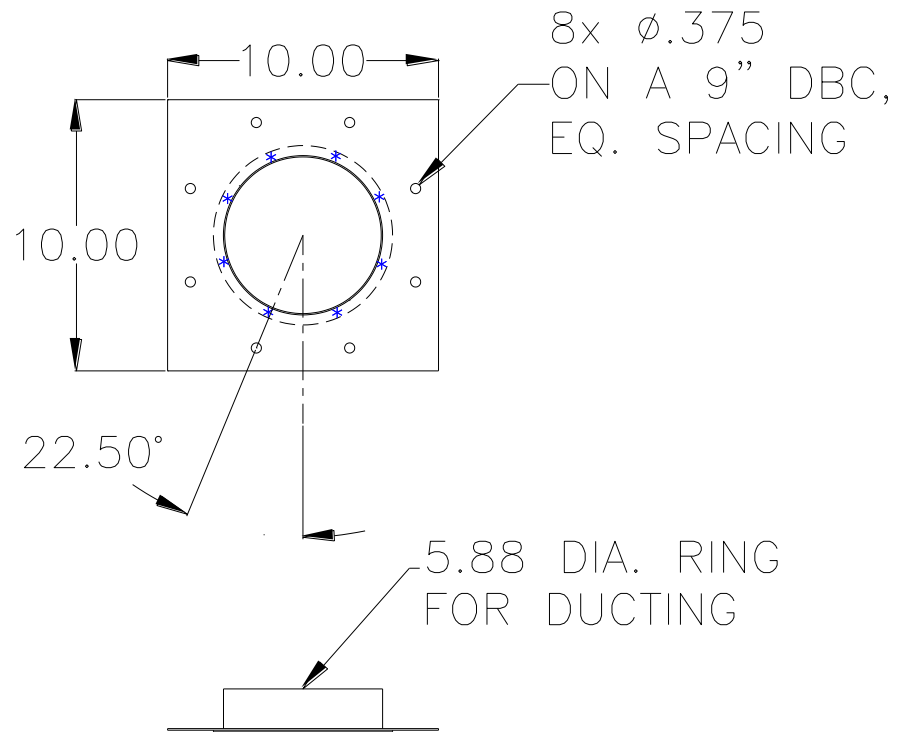
THE DEVICE DEPICTED AND DESCRIBED HEREON EMBODIES PROPRIETARY INFORMATION OWNED BY AIRFLOW SYSTEMS, INC. ALL DESIGN, MANUFACTURING, REPRODUCTION, SALES, AND PATENT RIGHTS REGARDING THIS DEVICE OR DRAWING ARE RESERVED EXCEPT WHERE EXPLICIT RIGHT IS GRANTED IN WRITING.

Diversified Air Systems, Inc.
Phone: 800-264-8958

DRAWN BY CB	TITLE 4" & 6" TELESCOPING ARM.
DATE 10-7-03	316 S.S., PAGE 1 OF 2
SCALE	DRAWING NO.: SS4_6TSX



4TSX-316 RING MOUNTING PATTERN



6TSX-316 RING MOUNTING PATTERN

NOTES:

THE DEVICE DEPICTED AND DESCRIBED HEREON EMBODIES PROPRIETARY INFORMATION OWNED BY AIRFLOW SYSTEMS, INC. ALL DESIGN, MANUFACTURING, REPRODUCTION, SALES, AND PATENT RIGHTS REGARDING THIS DEVICE OR DRAWING ARE RESERVED EXCEPT WHERE EXPLICIT RIGHT IS GRANTED IN WRITING.

Diversified Air Systems, Inc.
Phone: 800-264-8958

DRAWN BY CB	TITLE 4" & 6" TELESCOPING ARM,
DATE 10-7-03	316 S.S., PAGE 2 OF 2
SCALE	DRAWING NO.: SS4_6TSX